

SELF BUNDED WRAPPED (SBW) STORAGE TANKS

The SBW “Wrapped” Storage Tank offers maximum versatility, cost effectiveness and strength of any design of Self Bunded style on ground storage tank. The SBW range eliminates the requirements for complex civil works with earthen or concrete bunds and problems associated with catchment and disposal of rain water or fuel water mixtures. The SBW range maximises flexibility and minimises field installation costs, set-up time and environmental impact, allowing easy and quick relocation whilst minimising liability and risk. The round design of the SBW ensures inherent strength, minimising damage during transport.

The SBW range of tanks, incorporate an enclosed wrapped style integral steel bund meeting the requirements of State and Territory regulatory authorities. The integral Bund achieves secondary containment and allows monitoring, overfill containment and recovery of product.

A full range of accessories and options are available to meet a wide variety of customer needs and minimise labour on site. These range from vents, valves, couplings, internal and external finishes through to a fully fitted out version complete with pumps and meters.

SELF BUNDED WRAPPED STEEL TANK FEATURES

A broad range of uses:

- Capable of being moved to any practical location
- Suitable for Petroleum, Petrochemical, and Chemical liquids. The approvals allow storing and dispensing of Flammable and Combustible liquids in the following ranges:-
 - Up to 55,000 litre for Class 3, PG II, PG III, C1 & C2 liquids. (ie: motor spirit, etc.)
 - Up to 110,000 litre for Class 3, PG III, C1 & C2 liquids. (ie: diesel, etc.)

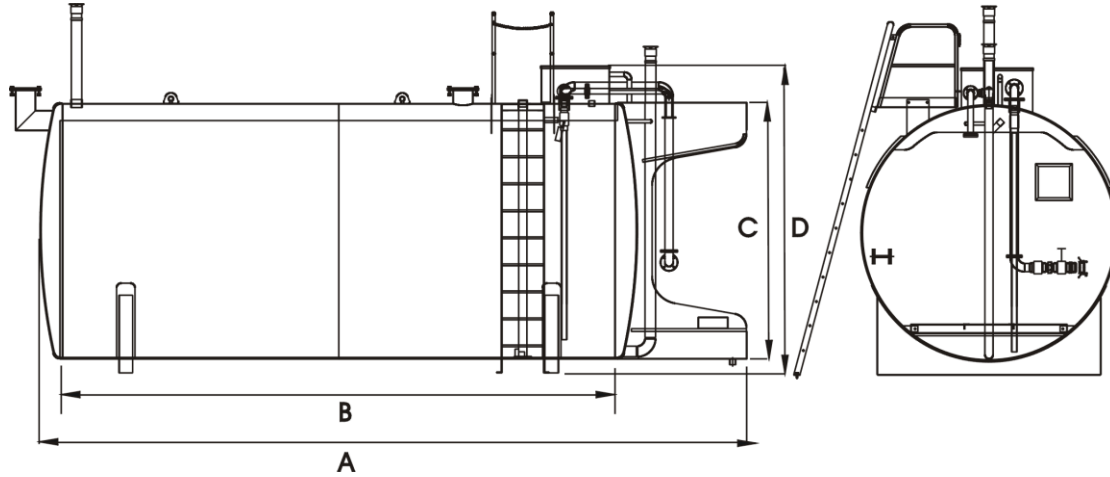
Strength and Durability you can depend on:

- Dished and Flanged ends for improved strength
- Barrel wall thickness in compliance with Australian Standards
- Painting to customer specifications or FTS standard being industrial aluminium finish

A standard of consistent quality:

- Manufactured to meet or exceed industry and statutory requirements:
 - AS 1692
 - AS 1940

DIMENSIONS AND CAPACITIES



| Type | Nominal Capacity Litres | Actual Capacity Litres | Dimensions – Millimetres | | | | Weight kg |
|------|-------------------------|------------------------|--------------------------|-------|----------|------|-----------|
| | | | A | B | C (I.D.) | D | |
| 2 | 2000 | 2400 | 3950 | 2400 | 1143 | 1750 | 850 |
| 5 | 5000 | 5000 | 4220 | 3000 | 1445 | 1850 | 1600 |
| 10 | 10000 | 11900 | 4550 | 3000 | 2190 | 2490 | 2800 |
| 15 | 15000 | 16500 | 5750 | 4200 | 2190 | 2490 | 3600 |
| 20 | 20000 | 21000 | 6950 | 5400 | 2190 | 2490 | 4600 |
| 25 | 25000 | 27800 | 8750 | 7200 | 2190 | 2490 | 5700 |
| 30 | 30000 | 34700 | 10560 | 9000 | 2190 | 2490 | 6600 |
| 35 | 35000 | 38000 | 7680 | 6000 | 2750 | 3150 | 7300 |
| 40 | 40000 | 46000 | 9180 | 7500 | 2750 | 3150 | 8600 |
| 55 | 55000 | 55200 | 10680 | 9000 | 2750 | 3150 | 9800 |
| 70 | 70000 | 73200 | 13660 | 12000 | 2750 | 3150 | 14200 |
| 90 | 90000 | 85800 | 11100 | 9000 | 3450 | 3860 | 14800 |
| 110 | 110000 | 114000 | 14100 | 12000 | 3450 | 3860 | 18000 |

Weights, Capacities & Dimensions are nominal only

Custom manufactured tanks can be supplied upon request

Tanks are supplied as standard with:

- Overfill Protection, Anti Siphon Valve, Safe Fill Level Alarm
- Ladder, Platform and Cradles (150mm high) ▪ Access Manways
- Fill, Dip, Vent, Discharge Socket, Drain Point and Dipstick
- Lifting Lugs (Note: Tank must only be lifted when empty)

Options and accessories available on request include:

- Alternative cradle heights and skids to suit customer requirements
- Varying configurations, other connections and flanged nozzles positioned to customers requirements

Tank Solutions Pty Ltd

ABN 59 142 807 949

e sales@tanksolutions.com.au w www.tanksolutions.com.au

New South Wales: 513 Tomago Road, Tomago, NSW 2322. PO Box 623, Raymond Terrace, NSW 2324. **p** 61 2 4964 8270 **f** 61 2 4964 8522

Queensland: Unit 3, 40 Ingleston Road, Wakerly, Qld 4154. **p** 61 7 3390 4800 **f** 61 7 3390 4667